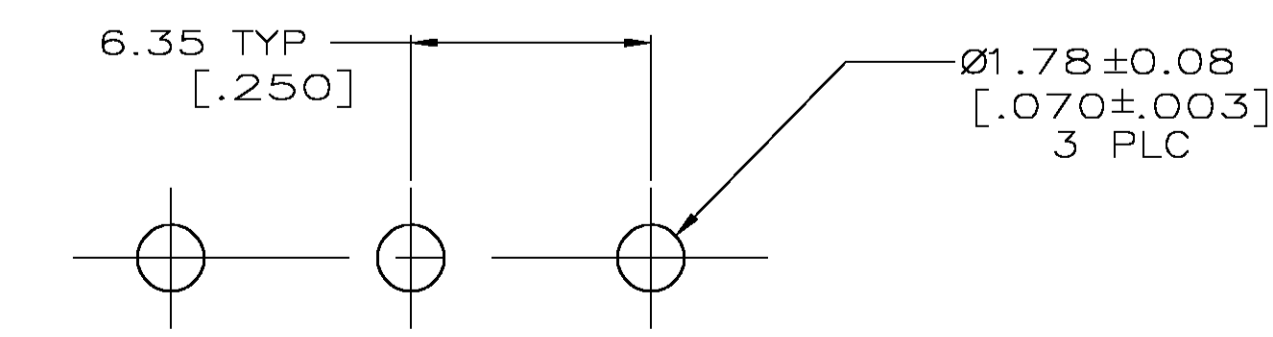
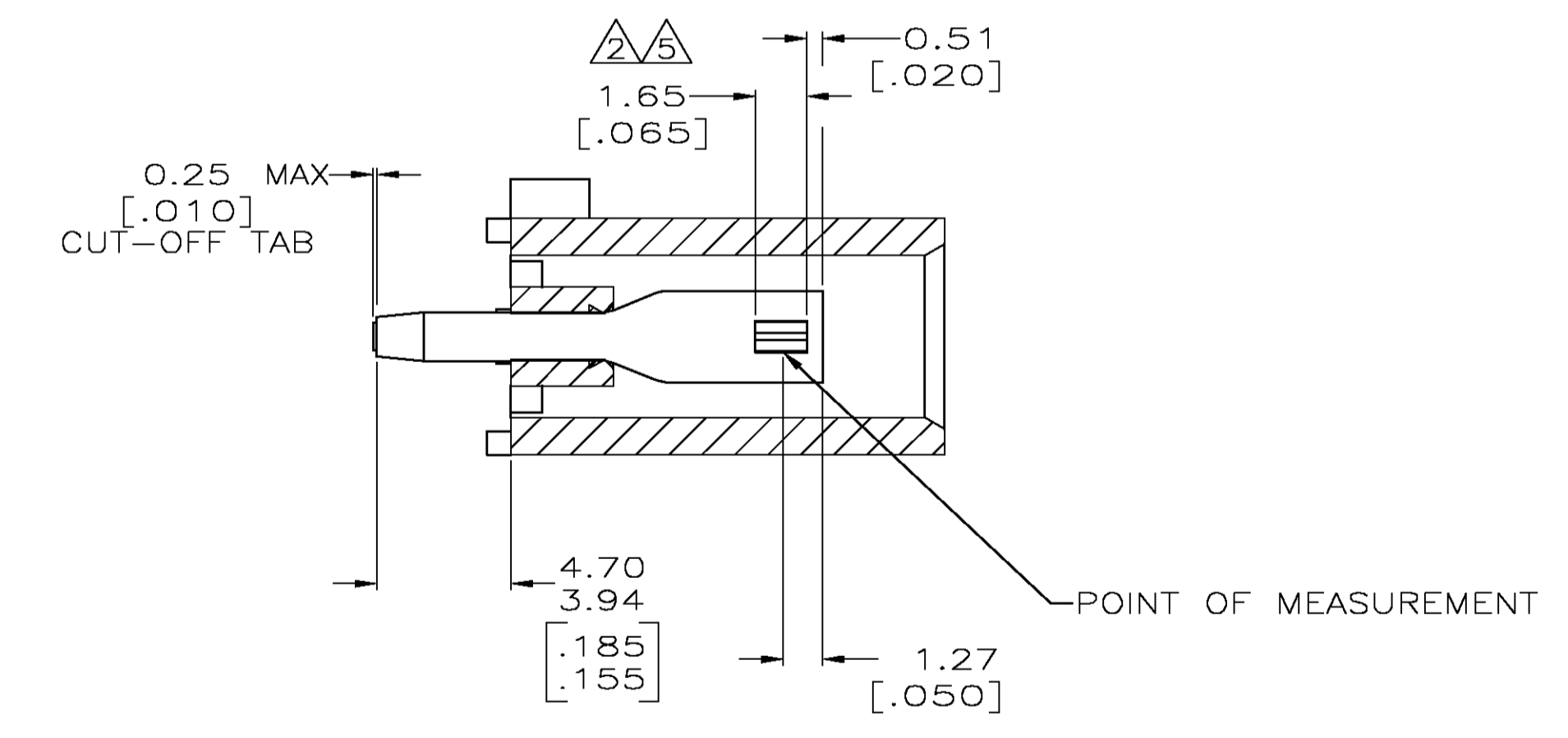
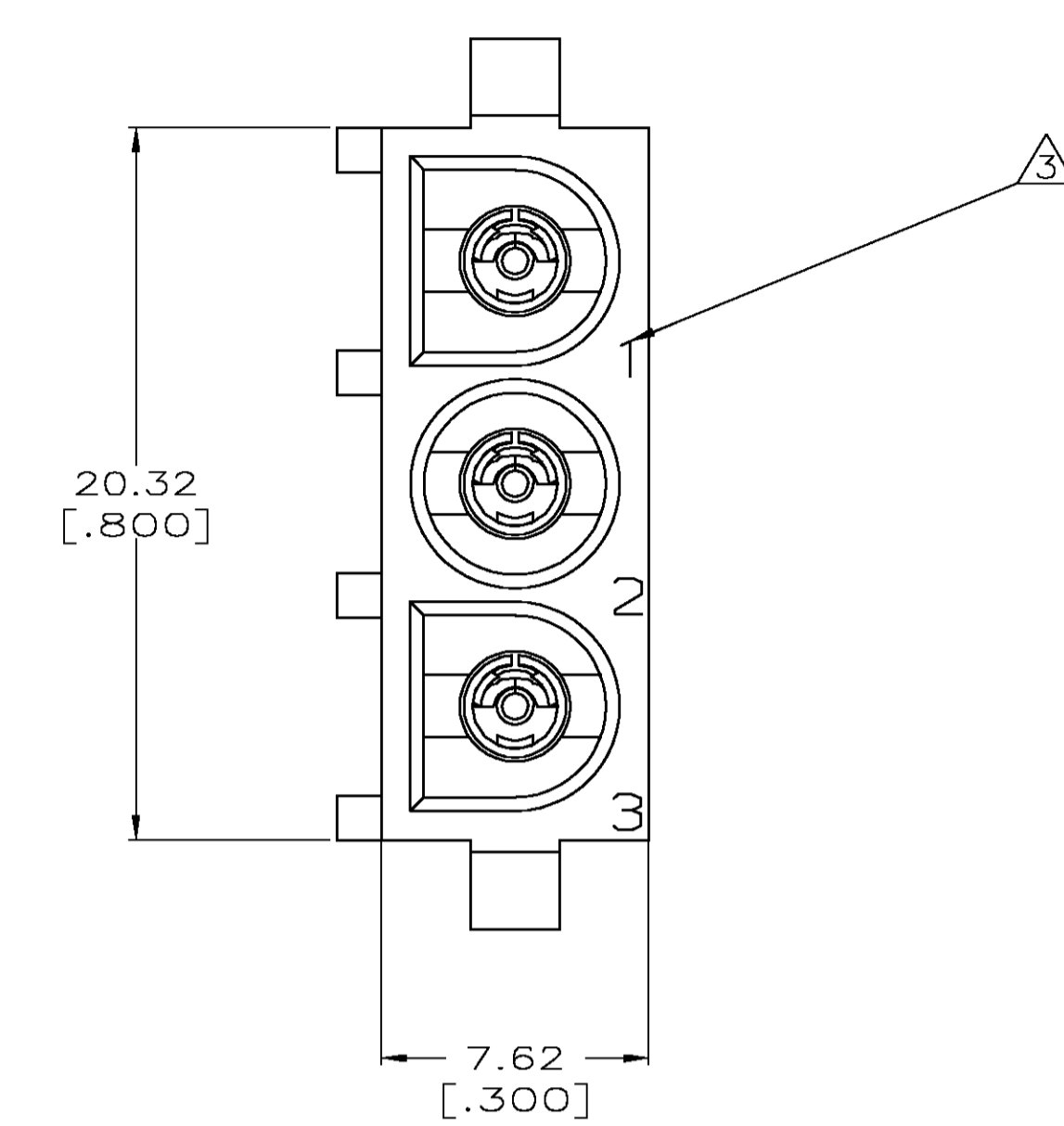
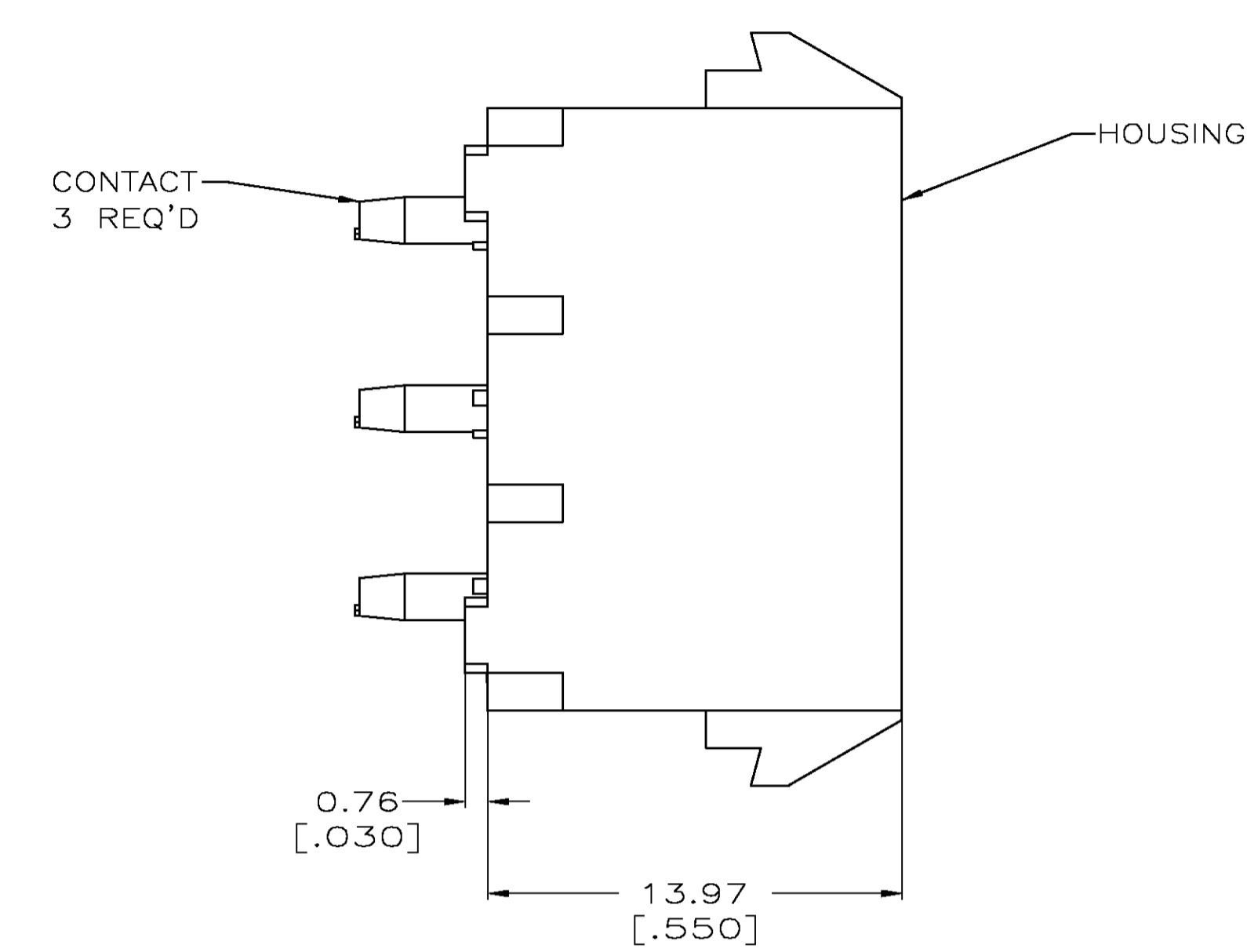
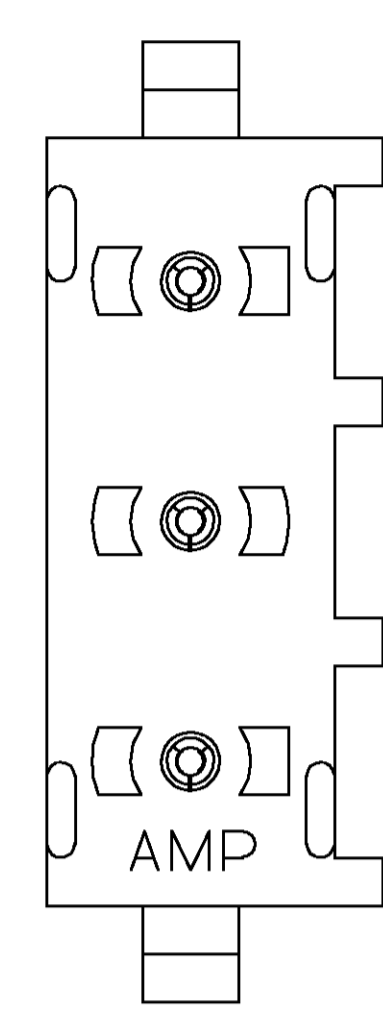
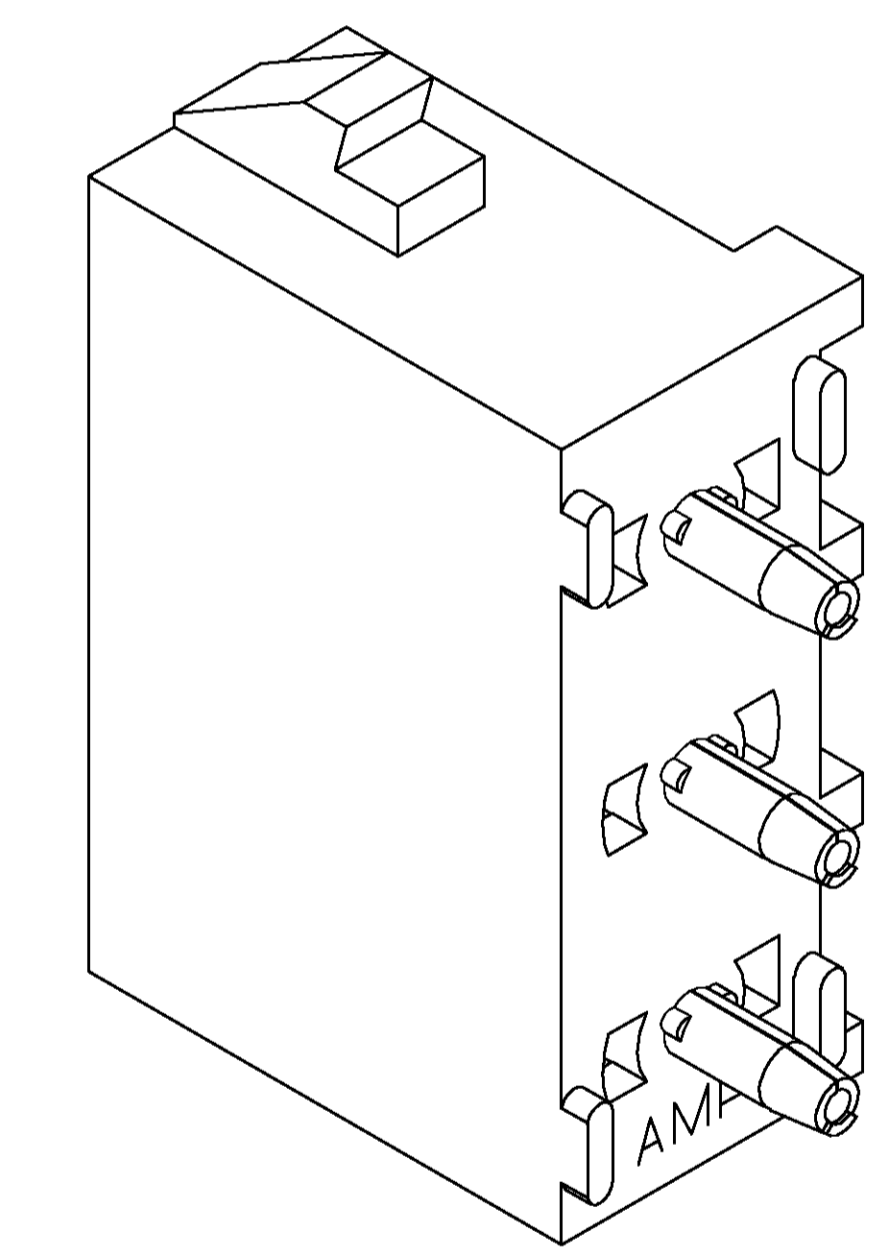


| LOC |    | DIST                     |         | REVISIONS |      |  |  |
|-----|----|--------------------------|---------|-----------|------|--|--|
| P   | LR | DESCRIPTION              | DATE    | BY        | APPD |  |  |
| N   |    | REVISED PER OG3B-1094-04 | 26JAN85 | KW        | SR   |  |  |



- PARTS COMPLY TO AMP SOLDERABILITY SPECIFICATION 109-11-3.
- CONTACT IS PLATED OVERALL WITH 0.00127 [.000050] NICKEL, THEN 0.00076 [.000030] GOLD OVER CONTACT LENGTH INDICATED AND MATTE TIN LEAD ON SOLDER TAIL END.
- CIRCUIT IDENTIFICATION CHARACTERS ARE ADJACENT TO THE INDICATED CAVITIES, BUT LOCATION AND ORIENTATION MAY DIFFER FROM PRINT.
- DIMENSIONS IN BRACKETS ARE IN INCHES.
- CONTACT IS PLATED OVERALL WITH 0.00127 [.000050] NICKEL, THEN 0.00076 [.000030] GOLD OVER CONTACT LENGTH INDICATED AND MATTE TIN ON SOLDER TAIL END.



|                             |                       |             |
|-----------------------------|-----------------------|-------------|
| PHOSPHOR BRONZE, GOLD       | NYLON, UL94V-0, WHITE | 350825-4    |
| PHOSPHOR BRONZE, GOLD       | NYLON, UL94V-0, WHITE | 350825-2    |
| PHOSPHOR BRONZE, PRE-TIN    | NYLON, UL94V-0, WHITE | 350825-1    |
| CONTACT MATERIAL AND FINISH | HOUSING MATERIAL      | PART NUMBER |

RECOMMENDED MOUNTING HOLE PATTERN FOR 1.57 [.062] THICK P.C. BOARD



THIS DRAWING IS A CONTROLLED DOCUMENT.

|                         |  |           |           |                     |                    |                 |                  |                  |
|-------------------------|--|-----------|-----------|---------------------|--------------------|-----------------|------------------|------------------|
| DIMENSIONS: mm [INCHES] | TOLERANCES UNLESS OTHERWISE SPECIFIED: | 0 PLC ± - | 1 PLC ± - | 2 PLC ± 0.13 [.005] | 3 PLC ± -          | 4 PLC ± -       | ANGLES ± 0.30°   | FINISH SEE TABLE |
| MATERIAL SEE TABLE      | FINISH SEE TABLE                       | WEIGHT -  | SIZE A1   | CAGE CODE 00779     | DRAWING NO. 350825 | RESTRICTED TO - | CUSTOMER DRAWING | SCALE 5:1        |

DWG BY LEWIS 8-19-98  
 CHK R SWING 8-19-98  
 APVD M TRULL 8-19-98  
 Tyco Electronics Corporation  
 Greensboro, NC 27409  
 SOCKET HEADER ASSEMBLY, 3 CIRCUIT UNIVERSAL MATE-N-LOK™  
 SHEET 1 OF 1 REV N